

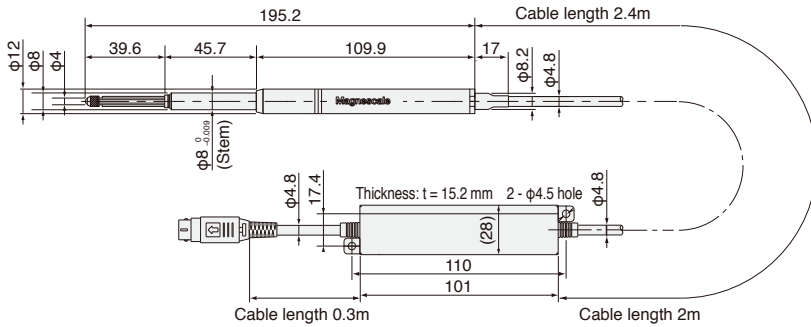
DK DK830S

Resolution **0.1 μm** Stem **φ8** Stroke **30mm** Output **A/B phase**

* DK830SR

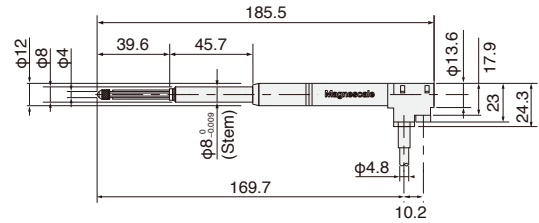


DK830SR



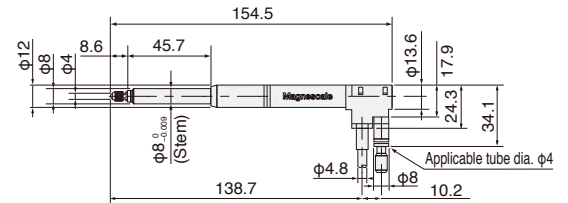
* Upon installation, clamp the stem.

DK830SLR



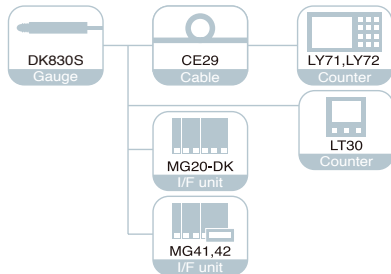
* Upon installation, clamp the stem.

DK830SVR



* Upon installation, clamp the stem.

Unit: mm



Specifications

Model	Straight model	Right angle model	Pneumatic push type
	DK830SR	DK830SLR	DK830SVR
Measuring range	30 mm		
Maximum resolution	0.1 μm (0.5 μm resolution can also be selectable as special specifications.)		
Accuracy (at 20°C/68°F)	1.3 μm		1.7 μm
Measuring force (at 20°C/68°F)	Upward: 0.5±0.35 N Horizontal: 0.6±0.35 N Downward: 0.7±0.35 N		Upward: 0.5±0.35 N Horizontal: 0.6±0.35 N Downward: 0.7±0.35 N
Maximum response speed	80 m/min		
Reference point	Position at spindle movement of 1mm		
Reference-point response speed	Same as the noted maximum response speed		
Output	A/B/reference poin Voltage-differential line driver output (conforming to EIA-422)		
Spindle drive system	Spring push		Pneumatic push
Achieved number of strokes ¹	60 million		30 million
Protection grade ²	IP53	IP53/IP67 ³	
Vibration resistance	20 to 2000 Hz 100 m/s ²		
Impact resistance	1000 m/s ² 11 ms		
Operating temperature	0 °C to 50 °C		
Storage temperature	-20 °C to 60 °C		
Power supply	5 VDC±5 %		
Power consumption	1 W		
Mass ⁴	Approx. 70 g		Approx. 80 g
Output cable length	2.4 m		
Feeler	Carbide ball tip, Mounting screw M2.5		
Accessories	Instruction Manual, +P M4 × 5 screw (2pc)		

¹ Under specific test conditions defined by Magnescape Co., Ltd. ² Excluding the interpolation box and connector

³ When the bellows set (optional accuracy) is mounted ⁴ Excluding cable section and interpolation box