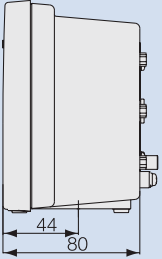
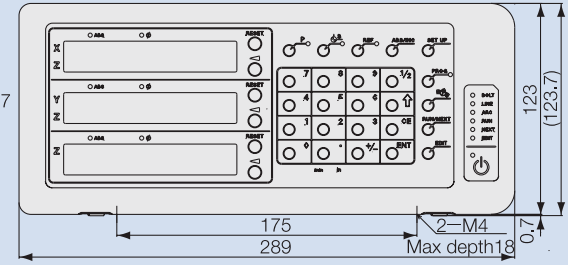
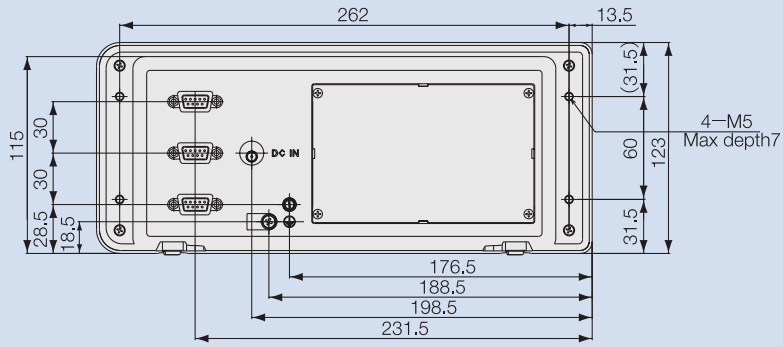
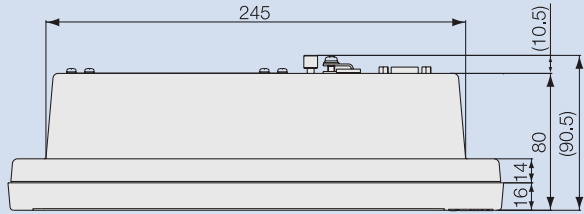


Dimensions

LH70/71, LH72



*Please refer to P.21 panel cut-out diagram.

Unit : mm