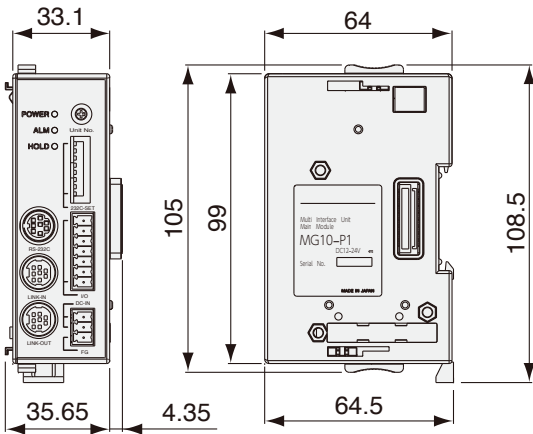
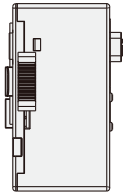
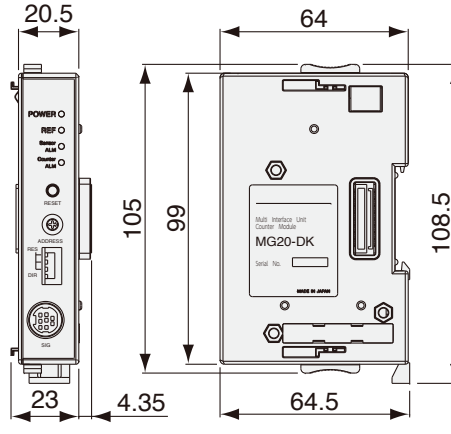
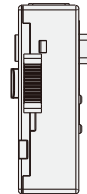


MG10-P1/P2



Unit: mm

MG20-DK/DT



MG30-B1/B2

