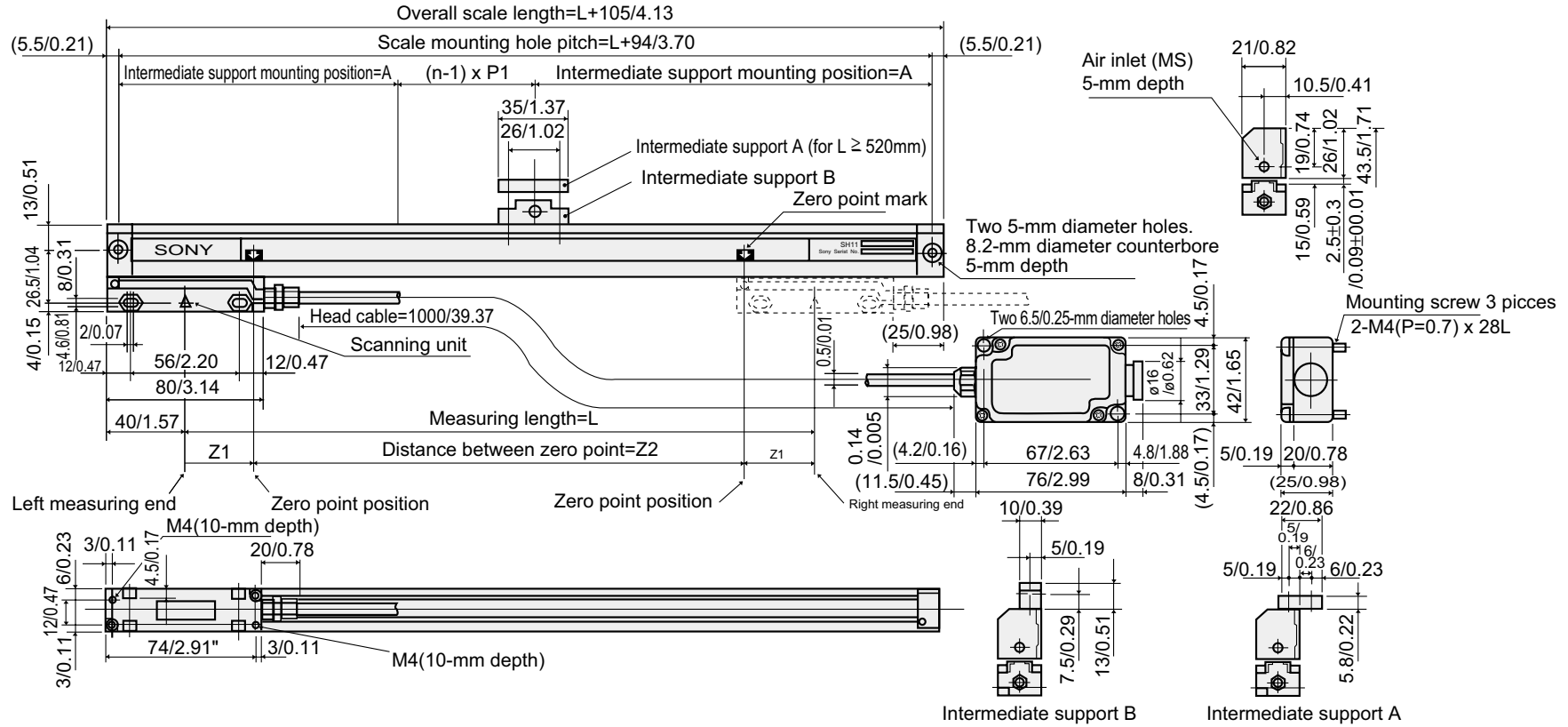


# Dimensions



| SH11-                     |         | 007 | 012 | 017 | 022 | 027 | 032 | 037 | 042 | 047 | 052 | 057 | 062 | 067 | 072 | 077 | 082 | 092 | 102  | 114  | 124  |
|---------------------------|---------|-----|-----|-----|-----|-----|-----|-----|-----|-----|-----|-----|-----|-----|-----|-----|-----|-----|------|------|------|
| Measuring length          | L (mm)  | 70  | 120 | 170 | 220 | 270 | 320 | 370 | 420 | 470 | 520 | 570 | 620 | 670 | 720 | 770 | 820 | 920 | 1020 | 1140 | 1240 |
| Intermediate support      | n       |     |     |     |     |     |     |     |     |     | 1   | 1   | 1   | 1   | 1   | 1   | 1   | 1   | 2    | 2    | 2    |
| Intermediate support      | A (mm)  |     |     |     |     |     |     |     |     |     | 307 | 332 | 357 | 382 | 407 | 432 | 457 | 507 | 380  | 420  | 450  |
| Scale mounting hole pitch | P1 (mm) |     |     |     |     |     |     |     |     |     |     |     |     |     |     |     |     |     | 354  | 394  | 434  |
| Zero point position       | Z1 (mm) | 35  | 35  | 35  | 35  | 35  | 35  | 35  | 35  | 35  | 35  | 35  | 35  | 35  | 35  | 35  | 35  | 35  | 35   | 45   | 45   |
|                           | Z2 (mm) |     | 50  | 100 | 150 | 200 | 250 | 300 | 350 | 400 | 450 | 500 | 550 | 600 | 650 | 700 | 750 | 850 | 950  | 1050 | 1150 |

Unit : mm/inch