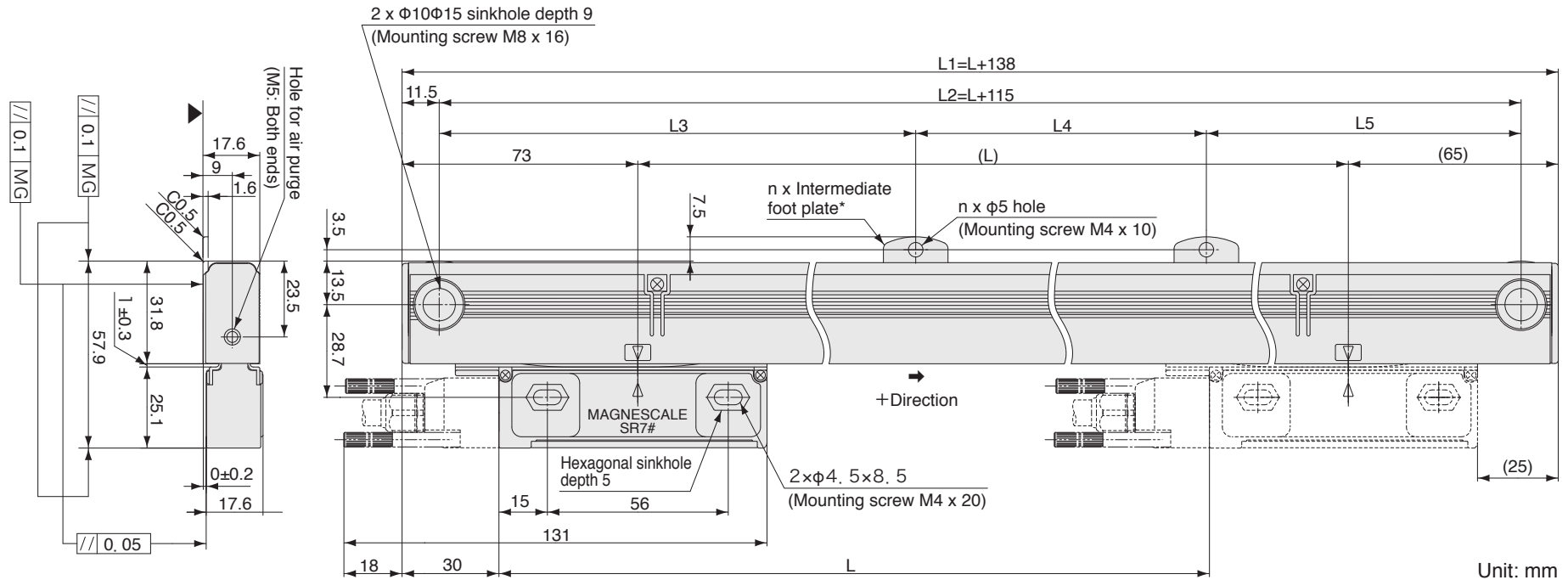


Dimensions (cable left-lead out direction)



Effective length	Total length	Mounting pitch				Number of intermediate foot plates
		L2	L3	L4	L5	
L	L1	L2	L3	L4	L5	n
70	208	185	-	-	-	0
120	258	235	-	-	-	0
170	308	285	-	-	-	0
220	358	335	-	-	-	0
270	408	385	-	-	-	0
320	458	435	-	-	-	0
370	508	485	-	-	-	0
420	558	535	-	-	-	0
470	608	585	-	-	-	0
520	658	635	-	-	-	0
570	708	685	-	-	-	0
620	758	735	-	-	-	0
720	858	835	417.5	-	417.5	1

Effective length	Total length	Mounting pitch				Number of intermediate foot plates
		L2	L3	L4	L5	
L	L1	L2	L3	L4	L5	n
770	908	885	442.5	-	442.5	1
820	958	935	467.5	-	467.5	1
920	1,058	1,035	517.5	-	517.5	1
1,020	1,158	1,135	567.5	-	567.5	1
1,140	1,278	1,255	627.5	-	627.5	1
1,240	1,378	1,355	677.5	-	677.5	1
1,340	1,478	1,455	727.5	-	727.5	1
1,440	1,578	1,555	520	520	515	2
1,540	1,678	1,655	550	550	555	2
1,640	1,778	1,755	585	585	585	2
1,740	1,878	1,855	620	620	615	2
1,840	1,978	1,955	650	650	655	2
2,040	2,178	2,155	720	720	715	2

MG: Machine guide * Intermediate foot plate: One location when L ≥ 720 mm, two locations when L ≥ 1440 mm

Notes • The surface indicated by the ▲ marks is the installation surface.

Unit: mm