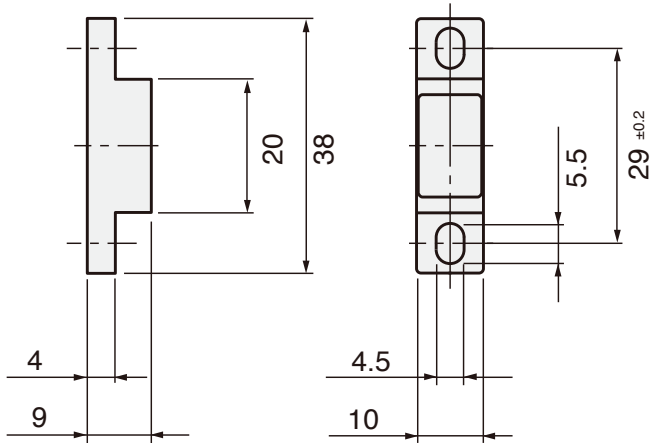
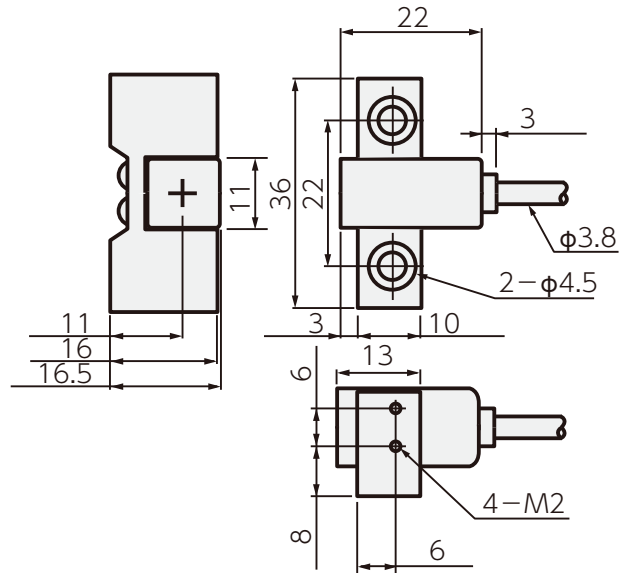


## Outer dimensions

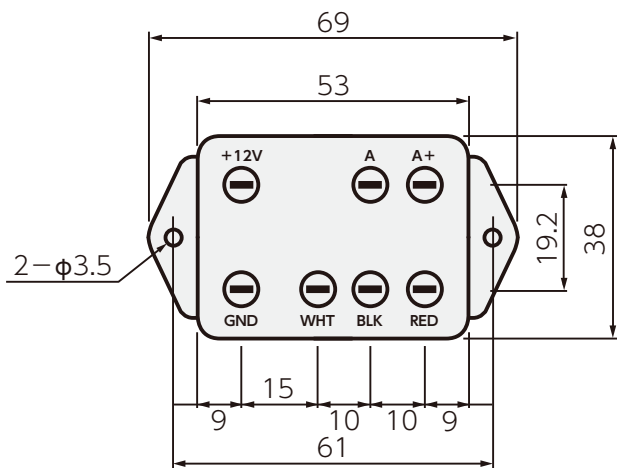
### Magnet PG-104(PG-10)



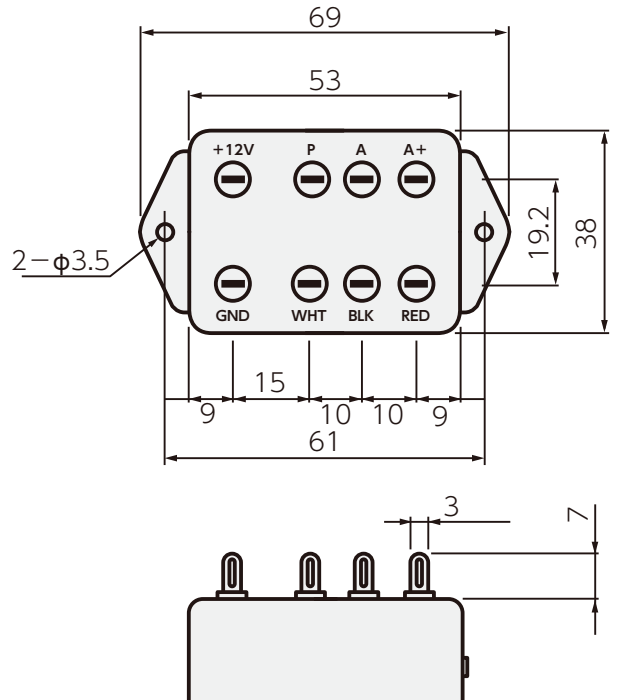
### Sensor PH-11/PH-100



### Detector PD-10



### Detector PD-100



Unit: mm