

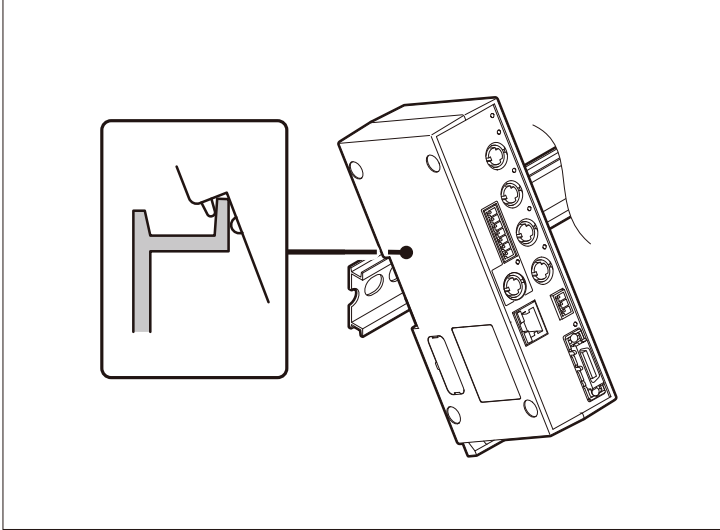
Mounting of MG41/42 main unit

The MG41/42 main unit can be mounted to DIN rail in electrical component panel.

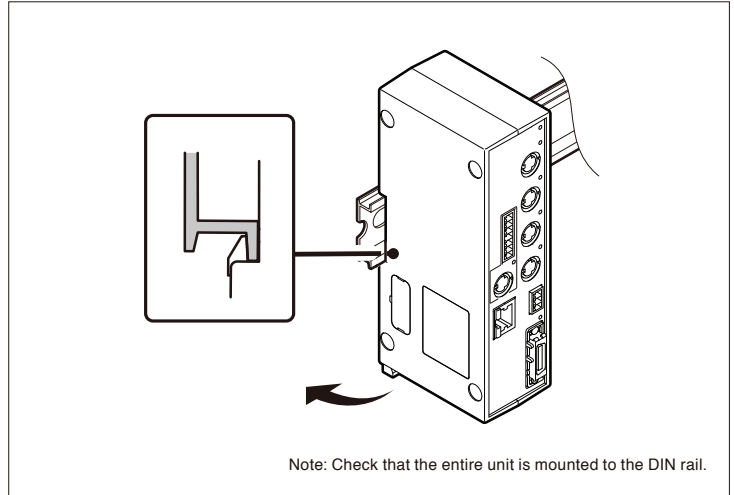
At factory shipment, the hook of DIN rail fixing lever is locked.

DIN rail specifications: 35 mm

1. Match the upper side of groove on the back of the MG41 main unit with the upper side of DIN rail.

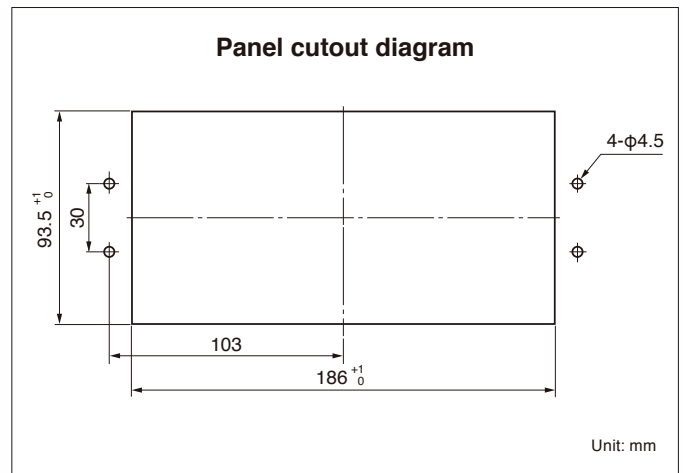
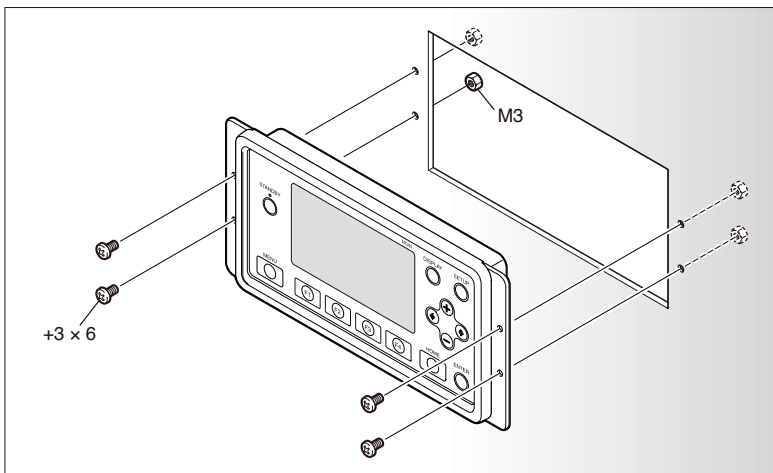


2. Push and install the MG41 main unit until a click is heard so that the lower side of groove on the back of the MG41 main unit is fit into the DIN rail.



MG43 Mounting to panel

Install the main unit to panel using provided four screws (+3 × 6) and four nuts (M3).



Reference: If a mounting screw hole cannot be drilled in the panel, the MG43 may be installed using four screws on the back of the main unit.

Note: Do not use a screw other than those provided for the MG43 main unit.

